

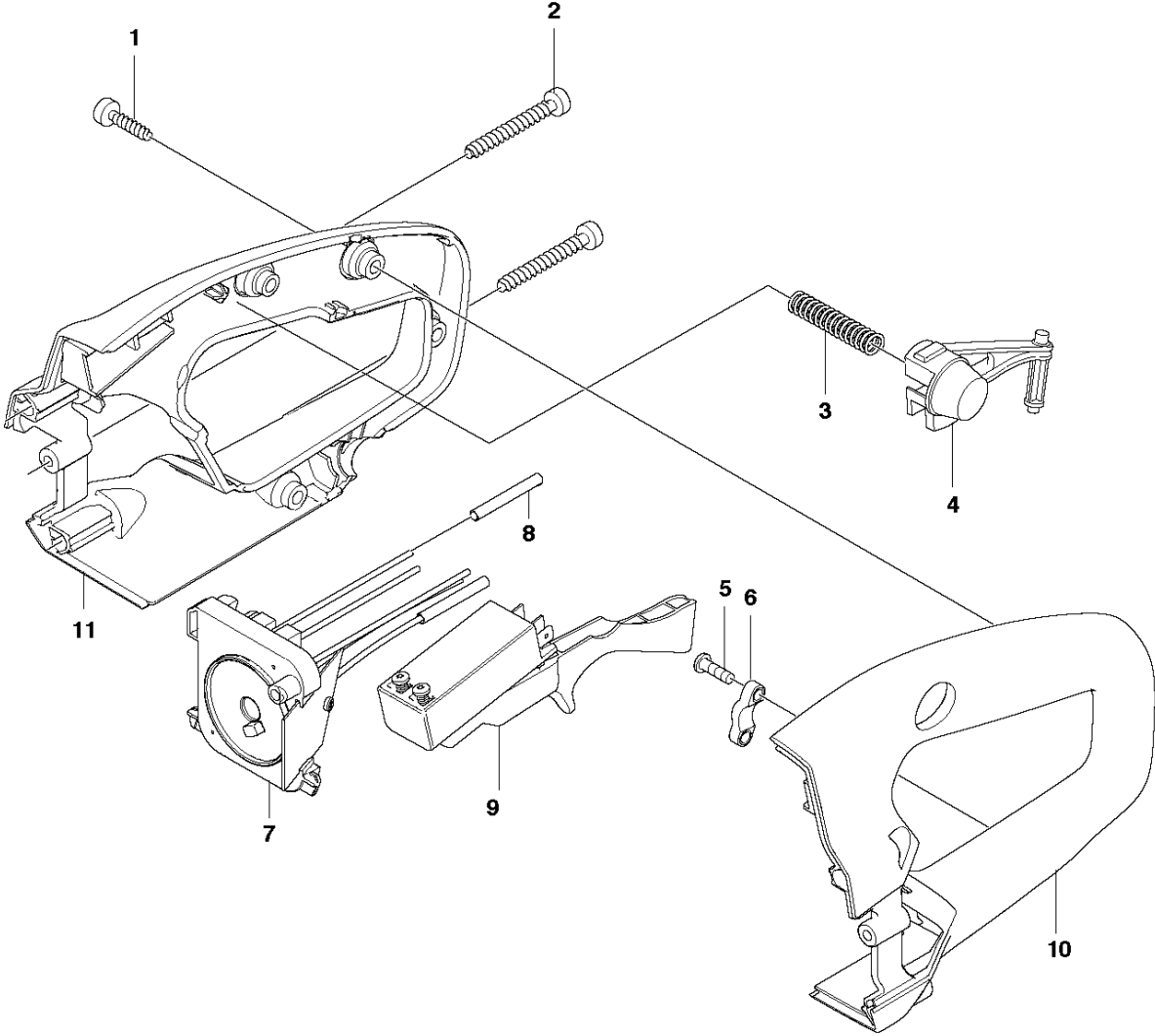


SPARE PARTS LIST

POWER CUTTERS

K 4000, 2018-03

A K4000

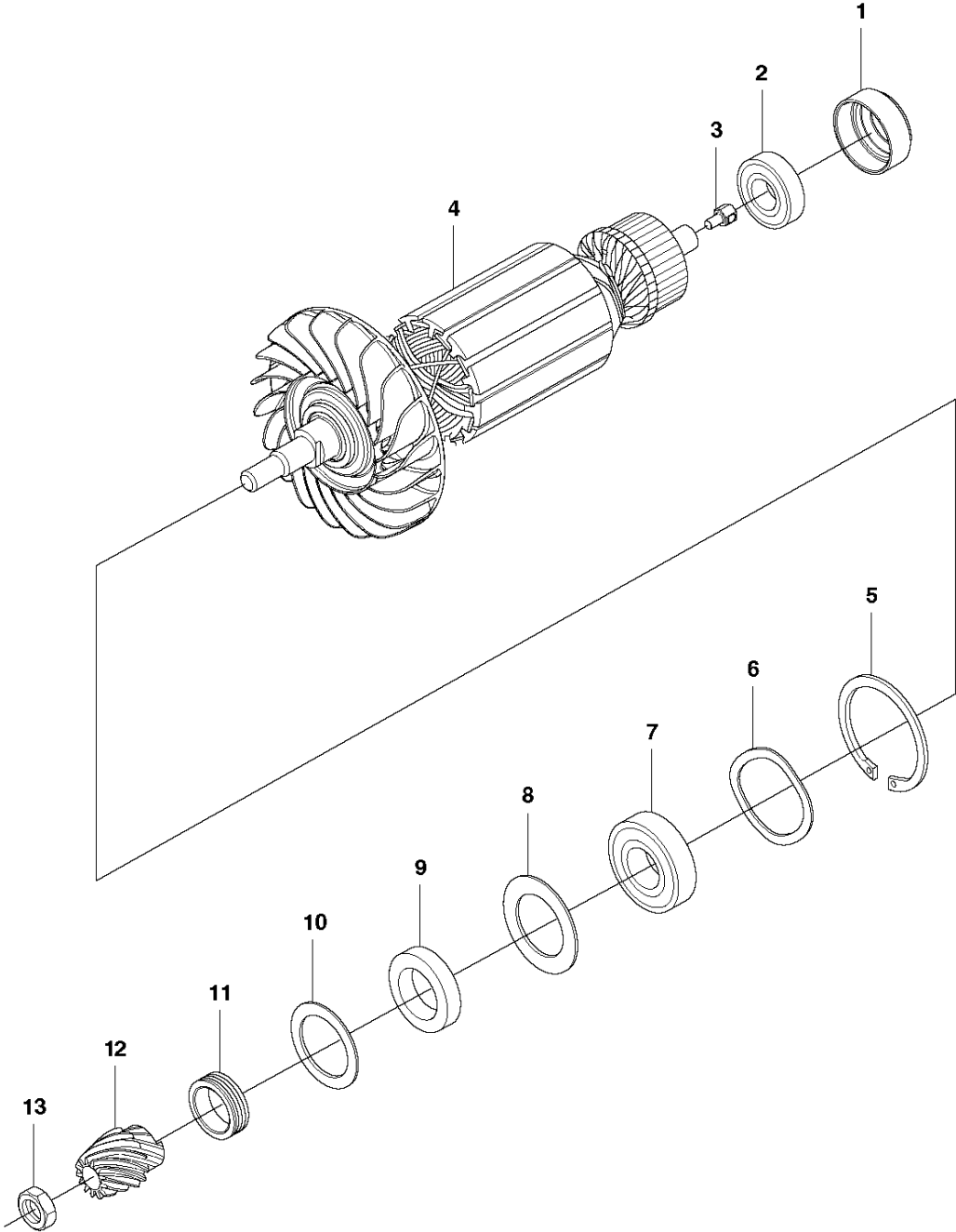


HANDLE

K 4000, 2018-03

| Ref | Part No | Description | Remark | QTY KIT |
|-----|--------------|----------------|------------------|---------|
| 1 | 589 53 01-01 | SCREW ITXSCT | | 4 |
| 2 | 589 58 33-01 | SCREW | | 4 |
| 3 | 577 48 19-01 | SPRING | | 1 |
| 4 | 589 65 73-02 | LOCKING BUTTON | | 1 |
| 5 | 590 93 57-01 | SCREW | | 2 |
| 6 | 531 03 18-87 | CLIP | | 1 |
| 7 | 577 01 01-05 | HOLDER ASSY | 100-120V, incl 8 | 1 |
| 7 | 577 01 01-06 | HOLDER ASSY | 230V, incl 8 | 1 |
| 8 | 578 03 26-01 | SLEEVE | 100-120V | 1 |
| 8 | 578 03 24-01 | SLEEVE | 230V | 2 |
| 9 | 531 03 18-83 | SWITCH | | 1 |
| 10 | 582 33 02-01 | HANDLE HALF | | 1 |
| 11 | 582 33 03-01 | HANDLE HALF | | 1 |

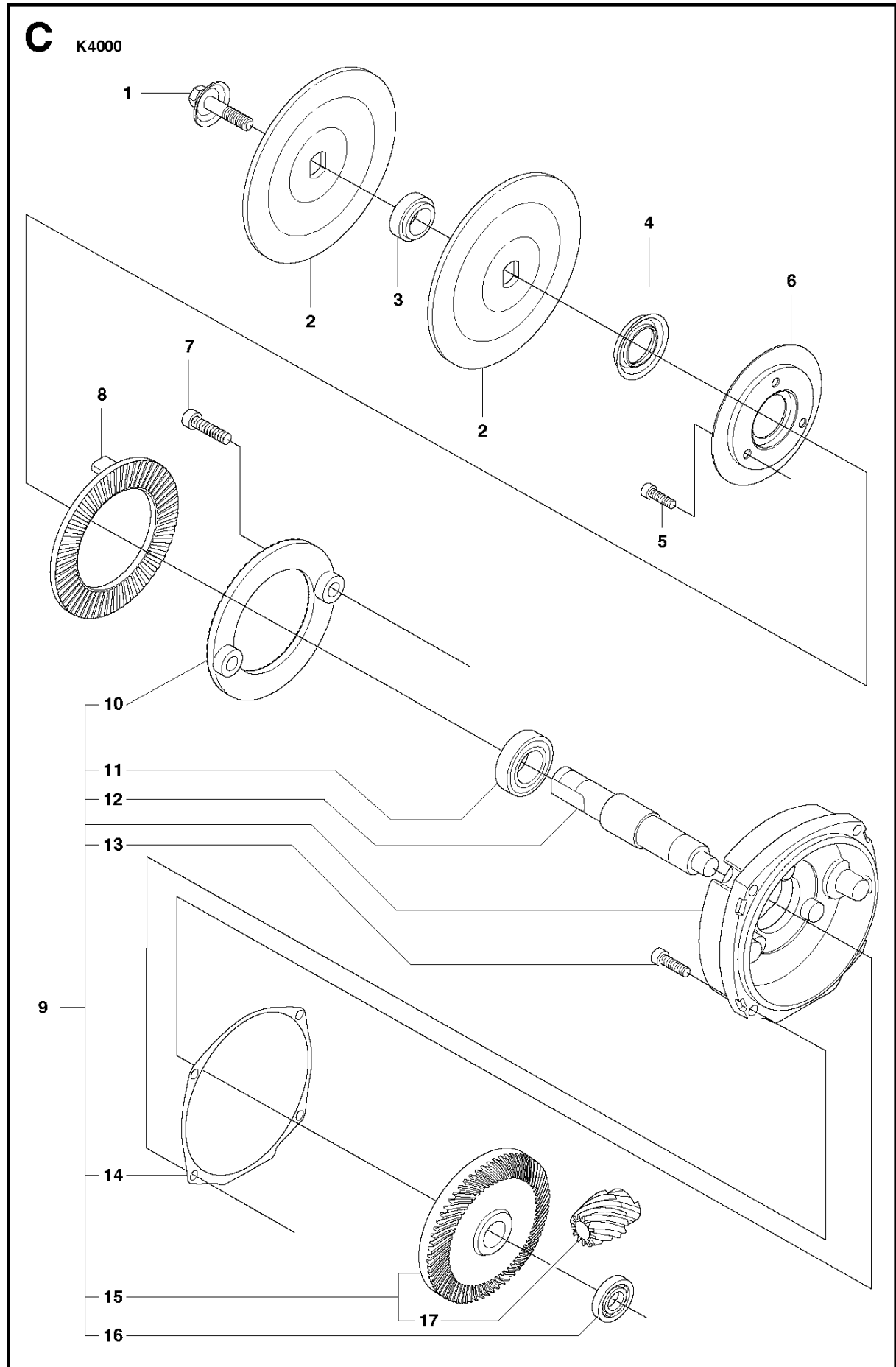
B K4000



MOTOR

K 4000, 2018-03

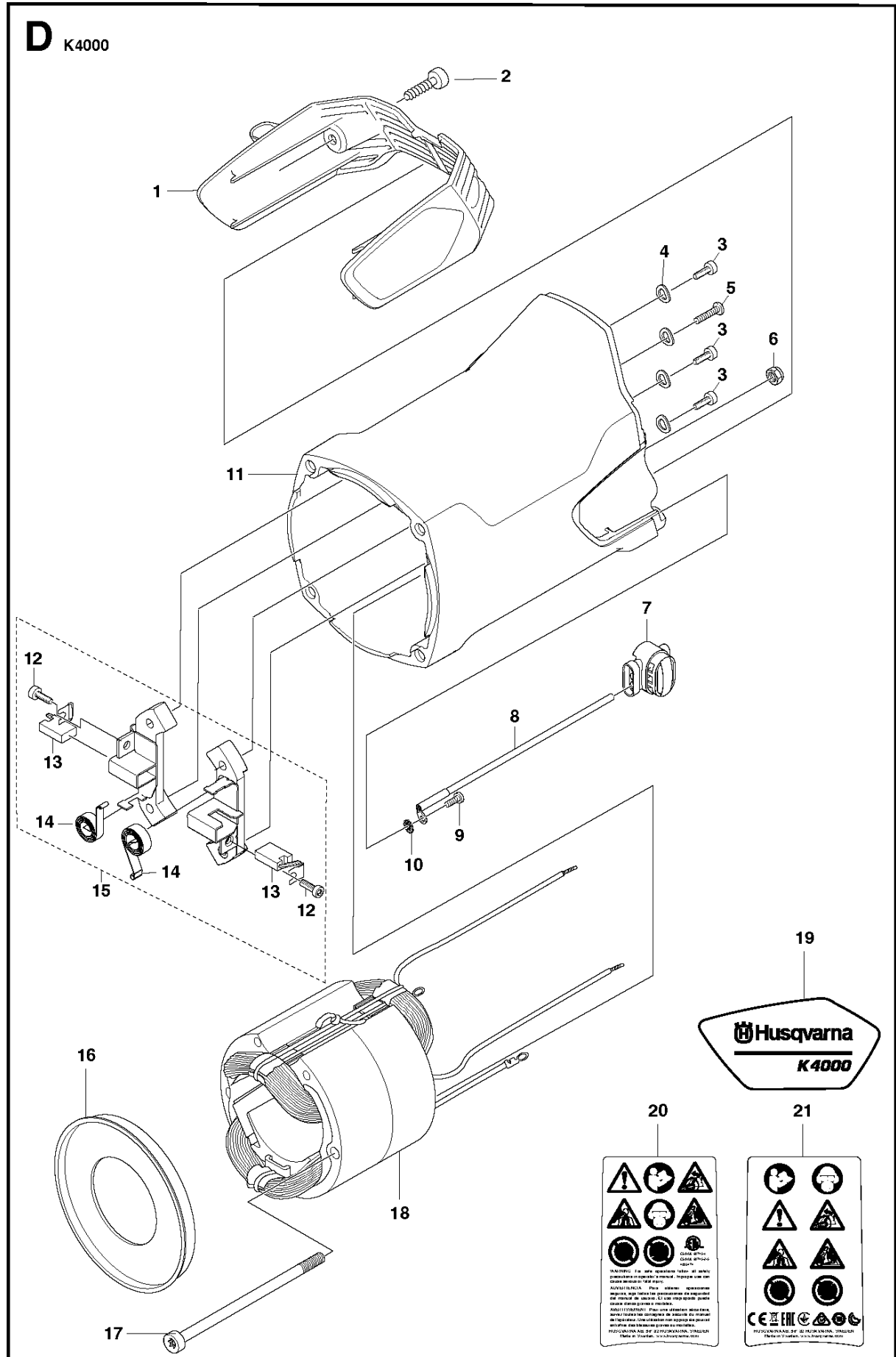
| Ref | Part No | Description | Remark | QTY KIT |
|-----|--------------|----------------|----------|---------|
| 1 | 577 06 66-01 | RUBBER BUSHING | | 1 |
| 2 | 503 25 09-01 | BEARING | | 1 |
| 3 | 579 25 62-01 | SCREW | | 1 |
| 4 | 582 58 66-02 | ROTOR | 100-120V | 1 |
| 4 | 582 58 66-01 | ROTOR | 230V | 1 |
| 5 | 735 31 33-10 | CIRCLIP | | 1 |
| 6 | 505 53 03-51 | SPRING WASHER | | 1 |
| 7 | 531 07 39-44 | BALL BEARING | | 1 |
| 8 | 505 53 03-16 | SPACER | | 1 |
| 9 | 505 53 03-41 | FELT | | 1 |
| 10 | 505 53 03-52 | SPACER | | 1 |
| 11 | 505 53 03-19 | SPACER | | 1 |
| 12 | 506 09 86-02 | PINION | | 1 |
| 13 | 523 12 24-02 | NUT | | 1 |



GEARS

K 4000, 2018-03

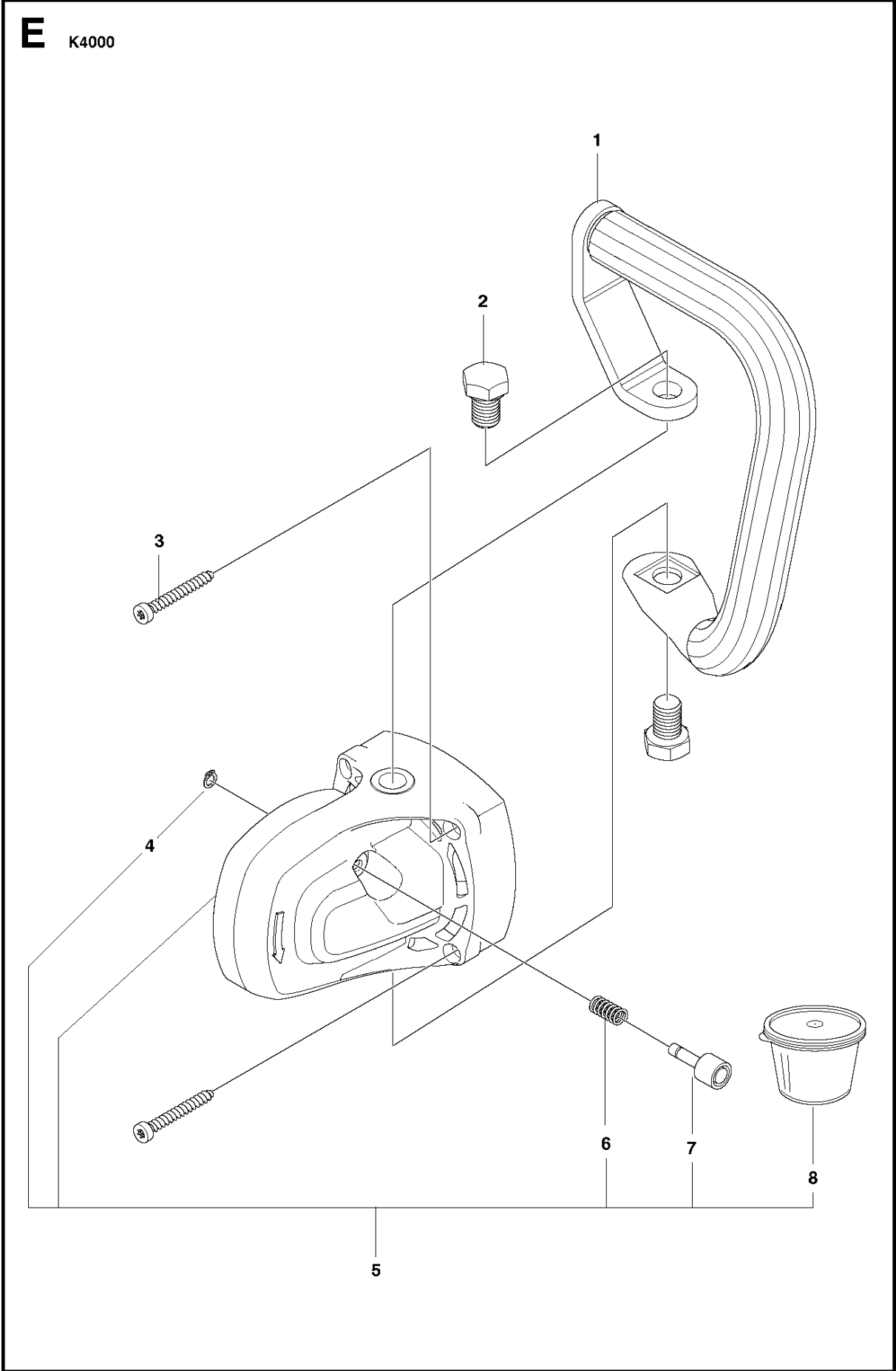
| Ref | Part No | Description | Remark | QTY KIT |
|-----|--------------|----------------|---------------|---------|
| 1 | 581 85 52-01 | SCREW | | 1 |
| 2 | 506 07 09-01 | FLANGE WASHER | JP | 2 |
| 2 | 583 87 44-01 | FLANGE | RoW | 2 |
| 3 | 581 60 54-03 | BUSHING | JP | 1 |
| 3 | 578 39 82-01 | BUSHING | RoW | 1 |
| 4 | 506 32 48-01 | SUPPORT FLANGE | | 1 |
| 5 | 505 57 41-16 | SCREW ITXSCM | | 3 |
| 6 | 506 26 65-01 | FLANGE | | 1 |
| 7 | 503 21 53-10 | SCREW ITXSCM | | 2 |
| 8 | 506 26 64-01 | SCREEN | | 1 |
| 9 | 544 40 32-01 | GEAR SET | Incl. 10 - 16 | 1 |
| 10 | 506 28 84-01 | SCREEN | | 1 |
| 11 | 503 25 21-01 | BALL BEARING | | 1 |
| 12 | 506 41 28-01 | BLADE SHAFT | | 1 |
| 13 | 505 57 41-20 | SCREW ITXSCM | | 4 |
| 14 | 523 05 62-01 | GASKET | | 1 |
| 15 | 531 03 18-75 | GEAR WHEEL | Incl. 17 | 1 |
| 16 | 738 22 00-15 | BALL BEARING | | 1 |
| 17 | 506 09 86-02 | PINION | | 1 |



MOTOR HOUSING

K 4000, 2018-03

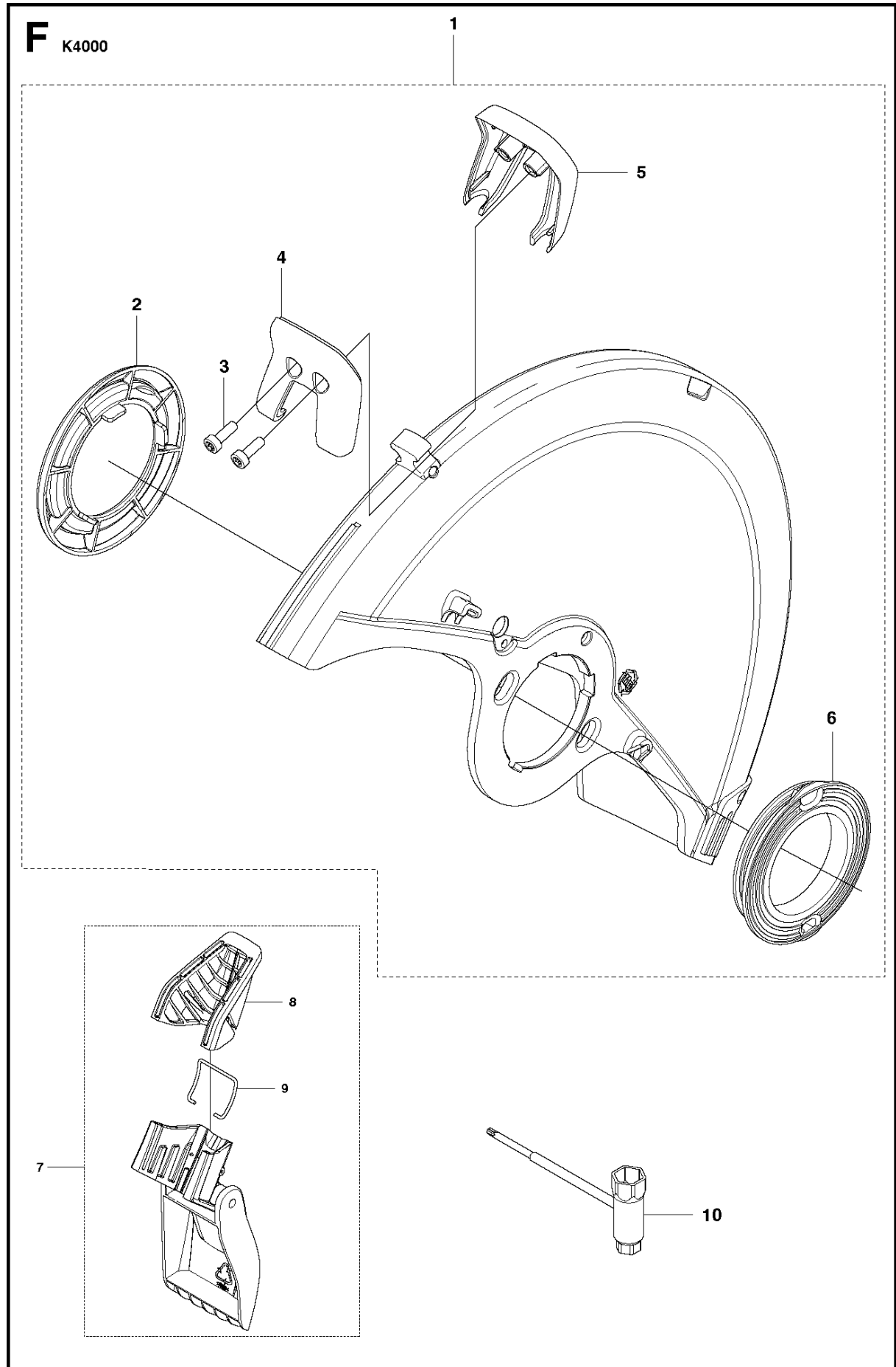
| Ref | Part No | Description | Remark | QTY | KIT |
|-----|--------------|---------------------|----------|-----|-----|
| 1 | 582 33 94-01 | COVER | | 1 | |
| 2 | 589 53 01-01 | SCREW ITXSCT | | 2 | |
| 3 | 574 35 35-05 | SCREW ITXSCM | | 3 | |
| 4 | 735 11 36-50 | SPRING WASHER | | 4 | |
| 5 | 574 35 35-07 | SCREW ITXSCM | | 1 | |
| 6 | 732 25 14-01 | HEXAGON LOCKING NUT | | 2 | |
| 7 | 501 98 02-01 | COUPLER | | 1 | |
| 8 | 577 38 40-01 | CABLE ASSY | | 1 | |
| 9 | 589 78 68-01 | SCREW | | 1 | |
| 10 | 735 21 24-01 | LOCKWASHER | | 1 | |
| 11 | 582 33 50-01 | MOTOR HOUSING | | 1 | |
| 12 | 724 12 87-01 | SCREW CRPANM | | 2 | 14 |
| 15 | 581 08 68-03 | BRUSH KIT | 230V | 2 | |
| 15 | 581 08 68-04 | BRUSH KIT | 120V | 1 | |
| 13 | 589 91 12-01 | CARBON BRUSH | 230V | 1 | 15 |
| 13 | 589 91 12-02 | CARBON BRUSH | 120V | 1 | 15 |
| 16 | 505 53 03-07 | AIR STREAM DIRECTOR | | 1 | |
| 17 | 503 21 53-96 | SCREW ITXSCM | | 2 | |
| 18 | 582 58 41-02 | STATOR ASSY | 100-120V | 1 | |
| 18 | 582 58 41-01 | STATOR ASSY | 230V | 1 | |
| 19 | 589 60 93-01 | DECAL | | 1 | |
| 20 | 589 60 95-01 | DECAL | US | 1 | |
| 21 | 589 60 95-02 | DECAL | RoW | 1 | |
| 14 | 579 20 52-02 | SPRING | | 1 | 15 |



GEAR HOUSING

K 4000, 2018-03

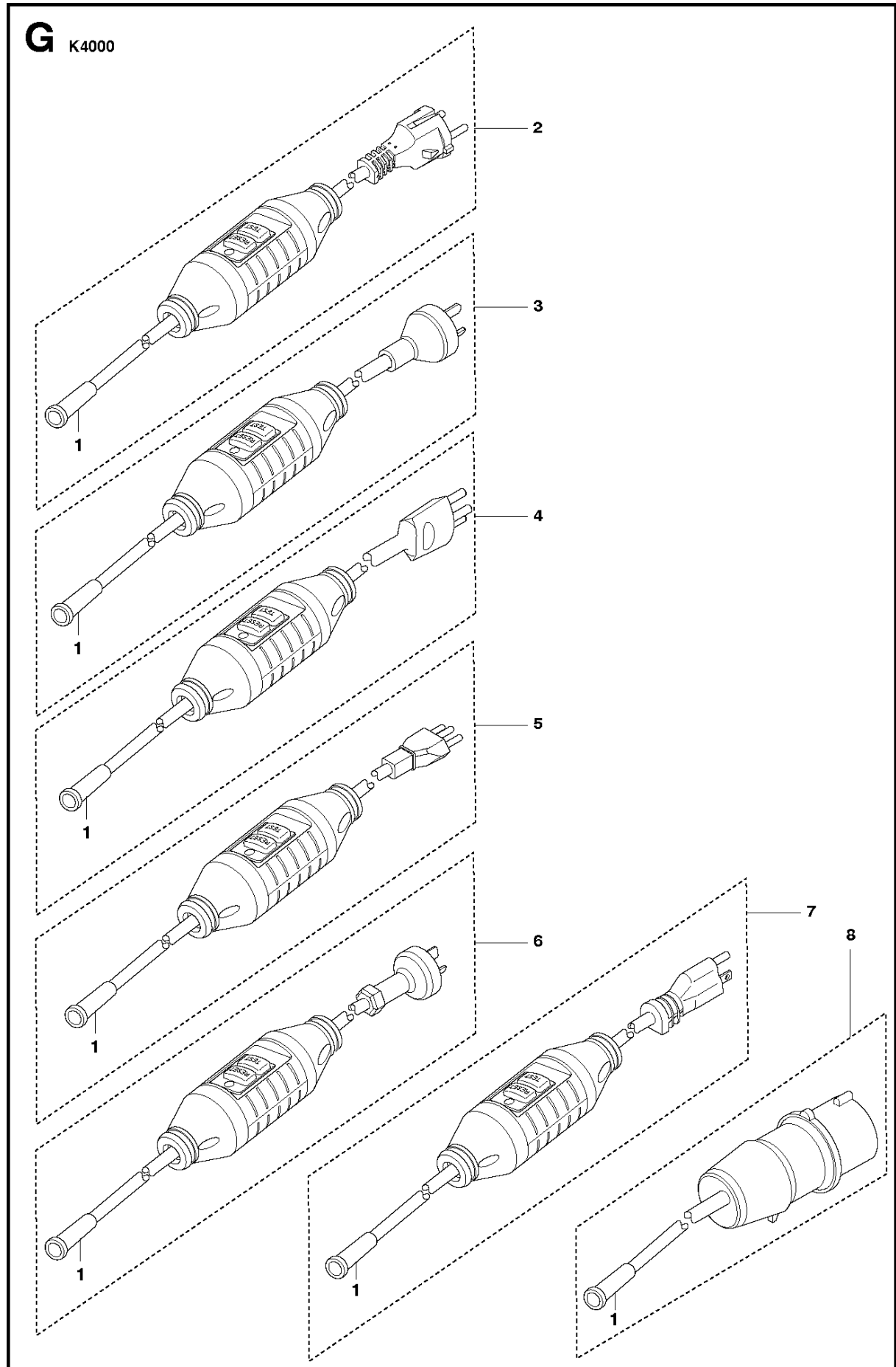
| Ref | Part No | Description | Remark | QTY KIT |
|-----|--------------|-------------------|----------|---------|
| 1 | 506 15 03-03 | HANDLE | | 1 |
| 2 | 531 03 12-76 | SCREW | | 2 |
| 3 | 589 58 33-01 | SCREW | | 4 |
| 4 | 735 31 08-00 | CIRCLIP | | 1 |
| 5 | 593 57 24-01 | GEAR HOUSING ASSY | Incl 6-8 | 1 |
| 6 | 577 48 20-01 | SPRING | | 1 |
| 7 | 544 90 47-01 | SHAFT | | 1 |
| 8 | 593 57 13-01 | GREASE | | 1 |



GUARDS

K 4000, 2018-03

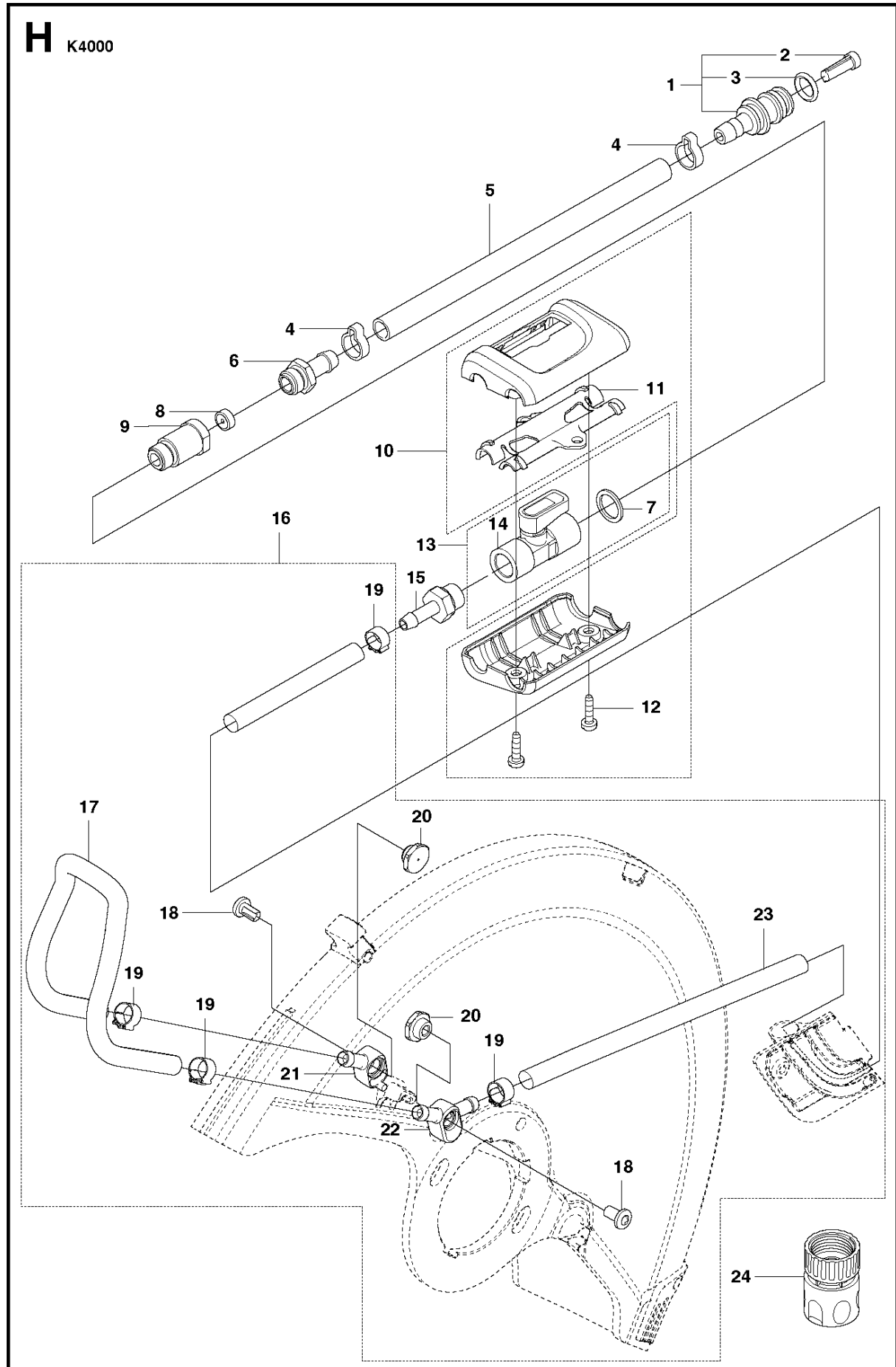
| Ref | Part No | Description | Remark | QTY KIT |
|-----|--------------|------------------|-------------|---------|
| 1 | 577 71 69-01 | WHEEL GUARD | Incl. 2 - 6 | 1 |
| 2 | 576 78 61-01 | ADAPTER | | 1 |
| 3 | 504 90 94-14 | SCREW ITXSCT | | 2 |
| 4 | 576 79 77-01 | HANDLE HALF | | 1 |
| 5 | 576 79 76-01 | HANDLE HALF | | 1 |
| 6 | 506 26 63-02 | LINING | | 1 |
| 7 | 577 93 53-01 | SPRAY GUARD ASSY | Incl. 8-9 | 1 |
| 8 | 576 63 10-01 | LOCKING HANDLE | | 1 |
| 9 | 576 63 15-01 | SPRING | | 1 |
| 10 | 506 38 26-01 | TOOL | | 1 |



ELECTRICAL

K 4000, 2018-03

| Ref | Part No | Description | Remark | QTY KIT |
|-----|--------------|--------------|-------------------------------|---------|
| 1 | 575 81 10-01 | CABLE SLEEVE | | 1 |
| 2 | 594 00 56-01 | CABLE ASSY | 230V PRCD, incl 1 | 1 |
| 3 | 594 00 56-06 | CABLE ASSY | 110V PRCD, AU, incl 1 | 1 |
| 4 | 594 00 56-05 | CABLE ASSY | 230V PRCD, CH, incl 1 | 1 |
| 5 | 594 00 56-07 | CABLE ASSY | 230V PRCD, BR, incl 1 | 1 |
| 6 | 594 00 56-02 | CABLE ASSY | 230V PRCD, CN, incl 1 | 1 |
| 7 | 594 00 56-03 | CABLE ASSY | 100-120V PRCD, JP, US, incl 1 | 1 |
| 8 | 593903901 | TBD | 110V UK, incl 1 | 1 |



HOSE

K 4000, 2018-03

| Ref | Part No | Description | Remark | QTY KIT |
|-----|--------------|--------------|---------------|---------|
| 1 | 506 29 57-02 | NIPPLE | Inlc. 2 - 3 | 1 |
| 2 | 506 29 88-01 | FILTER | | 1 |
| 3 | 505 10 35-01 | O-RING | | 1 |
| 4 | 576 12 97-01 | HOSE CLAMP | | 2 |
| 5 | 506 60 75-01 | HOSE | | 1 |
| 6 | 501 07 42-01 | NIPPLE | | 1 |
| 7 | 531 07 42-60 | WASHER | | 1 |
| 8 | 506 48 61-01 | FLOW CONTROL | | 1 |
| 9 | 575 30 33-01 | NIPPLE | | 1 |
| 10 | 522 94 51-01 | HOUSING | Inlc. 11 - 12 | 1 |
| 11 | 510 18 75-01 | INSERT | Not for UK | 1 |
| 12 | 504 90 94-10 | SCREW ITXSCT | UK | 2 |
| 12 | 504 90 94-10 | SCREW ITXSCT | RoW | 3 |
| 13 | 510 19 59-02 | VALVE KIT | Inlc. 7, 14 | 1 |
| 14 | 576 25 80-01 | VALVE | | 1 |
| 15 | 589 99 66-01 | NIPPLE | | 1 |
| 16 | 505 09 54-07 | HOSE KIT | Inlc. 17 - 23 | 1 |
| 17 | 578 19 81-07 | HOSE | 320mm | 1 |
| 18 | 504 63 46-01 | SCREW ITXSCT | | 2 |
| 19 | 506 49 87-01 | HOSE CLAMP | | 4 |
| 20 | 576 79 84-01 | NIPPLE | | 2 |
| 21 | 504 63 45-01 | HOUSING | | 1 |
| 22 | 505 11 55-01 | HOUSING | | 1 |
| 23 | 578 19 81-08 | HOSE | 720mm | 1 |
| 24 | 503 26 60-03 | COUPLER | USA | 1 |
| 24 | 503 26 60-04 | COUPLER | RoW | 1 |