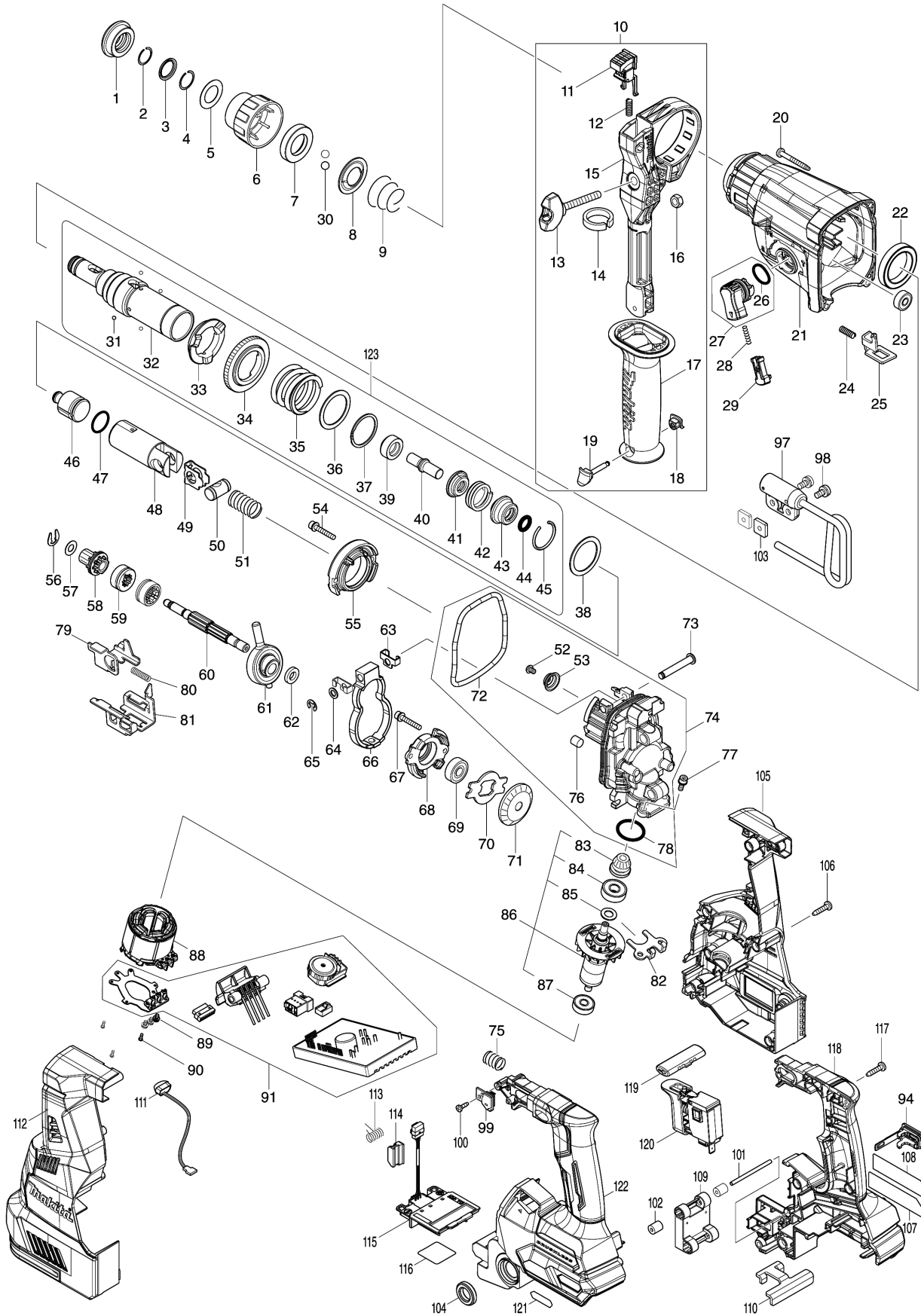


Model No.HR001G 28MM CRDLS COMBINATION HAMMER



Model No.HR001G 28MM CRDLS COMBINATION HAMMER

Item	Parts No.	Description	I/C	Qty	New/Old	Opt. 1	Opt. 2	Note
001	286288-8	CAP 35		1				
002	233989-9	RING SPRING 14		1				
003	346834-0	WASHER 16		1				
004	233992-0	RING SPRING 15		1				
005	267114-0	FLAT WASHER 17		1				
006	455393-4	CHUCK COVER		1				
007	325813-1	RING 21		1				
008	346177-0	GUIDE WASHER		1				
009	233916-6	CONICAL COMP. SPRING 21-29		1				
010	126882-3	GRIP ASSEMBLY		1				
D10		INC. 11-19						
011	144959-2	LOCK BUTTON COMPLETE		1				
012	233360-7	COMPRESSION SPRING 4		1				
013	265625-9	THUMB SCREW M6X50		1				
014	422258-5	SPONGE SHEET		1				
015	458355-1	SIDE HANDLE BASE		1				
016	931302-2	HEX. NUT M6		1				
017	458357-7	GRIP 36		1				
018	422255-1	CAP		1				
019	161838-9	FIX PIN		1				
020	266351-3	TAPPING SCREW 4X35		4				
021	144965-7	GEAR HOUSING COMPLETE		1				
C10	213345-9	OIL SEAL 25		1				
C20	331890-3	CUP SLEEVE		1				
022	211294-4	BALL BEARING 6806LLU		1				
023	211012-0	BALL BEARING 606ZZ		1				
024	233360-7	COMPRESSION SPRING 4		1				
025	347228-2	LOCK PLATE		1				
026	213278-8	O RING 17		1				
027	135961-6	CHANGE LEVER ASSY		1				
D10		INC. 26						
028	234264-6	COMPRESSION SPRING 3		1				
029	457709-9	LOCK BUTTON		1				
030	216022-2	STEEL BALL 7.0		2				
031	216019-1	STEEL BALL 3		4				
032	142972-4	TOOL HOLDER COMPLETE		1				
C10	213344-1	OIL SEAL 9		1				
033	332139-4	DRIVING FLANGE		1				
034	227360-7	SPUR GEAR 51		1				
035	234148-8	COMPRESSION SPRING 31		1				
036	267153-0	FLAT WASHER 30		1				
037	257932-4	SPIRO LOCK WASHER 30		1				

Please order the parts with part number.

Print Date 22/6/2020

Model No.HR001G 28MM CRDLS COMBINATION HAMMER

Item	Parts No.	Description	I/C	Qty	New/Old	Opt. 1	Opt. 2	Note
038	267153-0	FLAT WASHER 30		1				
039	325783-4	SLEEVE 9B		1				
040	325789-2	IMPACT BOLT A		1				
041	325792-3	WASHER 10		1				
042	234149-6	COMPRESSION SPRING 20		1				
043	325793-1	O-RING CASE B		1				
044	213073-6	O RING 9		1				
045	233979-2	RING SPRING 28		1				
046	325784-2	STRIKER		1				
047	213258-4	O RING 17.5		1				
048	327079-9	PISTON CYLINDER		1				
049	346036-8	GUIDE PLATE		1				
050	324215-8	PISTON JOINT		1				
051	232449-8	COMPRESSION SPRING 14		1				
052	265A87-7	TORX SOCKET BUTTON BOLT M4X8		1				
053	347344-0	SPRING GUIDE		1				
054	922148-7	HEX. SOCKET HEAD BOLT M4X25		2				
055	144960-7	INNER SUPPORT COMPLETE		1				
056	257336-0	STOP RING EXT U-6		1				
057	253186-1	FLAT WASHER 7		1				
058	226170-9	SPUR GEAR 10		1				
059	332125-5	CLUTCH CAM		2				
060	327078-1	CAM SHAFT		1				
061	219030-2	SWASH BEARING 10		1				
062	257321-3	RING 8		1				
063	346538-4	WEIGHT HOLDER GUIDE		2				
064	253077-6	FLAT WASHER 6		1				
065	961018-5	STOP RING E-5		1				
066	310869-7	COUNTER WEIGHT		1				
067	922148-7	HEX. SOCKET HEAD BOLT M4X25		2				
068	319674-9	BEARING BOX		1				
069	211032-4	BALL BEARING 608ZZ		1				
070	347343-2	BEARING RETAINER B		1				
071	221599-4	SPIRAL BEVEL GEAR 32		1				
072	213850-6	O-RING 74		1				
073	256536-9	FLAT FILLISTER HD PIN 6		1				
074	136194-6	INNER HOUSING ASS'Y		1				
D10		INC. 52,53,72,76,78						
075	232436-7	COMPRESSION SPRING 10		1				
076	443153-6	FELT		1				

Model No.HR001G 28MM CRDLS COMBINATION HAMMER

Item	Parts No.	Description	I/C	Qty	New/Old	Opt. 1	Opt. 2	Note
077	922118-6	HEX. SOCKET HEAD BOLT M4X12		2				
078	213008-7	O RING 22.4		1				
079	347230-5	CHANGE PLATE B		1				
080	234343-0	COMPRESSION SPRING 5		1				
081	347229-0	CHANGE PLATE A		1				
082	346536-8	BEARING RETAINER A		1				
083	144964-9	SPIRAL BEVEL GEAR 11 COMPLETE		1				
084	210024-0	BALL BEARING 608LLU		1				
085	253835-0	FLAT WASHER 8		1				
086	519513-5	ROTOR ASSY		1				
D10		INC. 83-85,87						
087	210022-4	BALL BEARING 626DDW		1				
088	629454-8	STATOR		1				
089	652069-6	FLAT HEAD SCREW M3X6		3				
090	266490-9	TAPPING SCREW PT 2X6		3				
091	620B98-9	CONTROLLER		1				
094	140G30-2	CAP COMPLETE		1				
C10	213218-6	O RING 16		1				
C20	818H48-4	CAP LABEL		1				
097	127344-4	HOOK ASS'Y		1				
098	911211-1	PAN HEAD SCREW M5X12		2				
099	620C01-6	SENSOR CIRCUIT		1				
100	266007-8	TAPPING SCREW BIND PT 3X10		1				
101	256886-2	ROD 3		2				
102	422472-3	SPONGE SLEEVE 3		4				
103	264002-2	SQUARE NUT M5		2				
104	459184-5	CUSHION RING 12		2				
105	183N64-4	HOUSING SET		1				
D10		INC. 112						
106	266326-2	TAPPING SCREW 4X18		8				
107	856N18-1	HR001G NAME PLATE		1				
108	8008C4-9	CLEAR LABEL		1				
109	620C00-8	ACCELEROMETER CIRCUIT		1				
110	346039-2	SUPPORT PLATE		1				
111	620549-0	LED CIRCUIT		1				
112	183N64-4	HOUSING SET		1				
D10		INC. 105						
113	233598-4	TORSION SPRING 6		1				
114	313226-8	OPENER		1				
115	632P64-8	TERMINAL UNIT		1				
116	856N25-4	HR001G SERIAL NO. LABEL		1				

Please order the parts with part number.

Print Date 22/6/2020

Model No.HR001G 28MM CRDLS COMBINATION HAMMER

Item	Parts No.	Description	I/C	Qty	New/Old	Opt. 1	Opt. 2	Note
117	266326-2	TAPPING SCREW 4X18		7				
118	183N52-1	HANLDE SET		1				
C10	263005-3	RUBBER PIN 6		2				
D10		INC. 122						
119	453124-5	F/R CHANGE LEVER		1				
120	651439-6	SWITCH C3JR-4B-2		1				
121	8005T5-8	XGT LOGO LABEL		1				
122	183N52-1	HANLDE SET		1				
C10	263005-3	RUBBER PIN 6		2				
D10		INC. 118						
123	135966-6	TOOL HOLDER ASSY		1				
D10		INC. 31-37,39-45						
A01	331886-4	DEPTH GAUGE		1				
A02	198993-4	GREASE VESSEL SET		1				
A03	443122-7	CLOTH		1				
A05B	8007T9-2	HR001GD203 PLASTIC CASE LABEL		2				
A07B	821552-6	CONNECTOR PLASTIC CASE (TYPE4)		1				
C10	453974-8	LATCH		4				
A08B	835C84-5	INNER TRAY		1				
A09B	***DX12	DX12 DUST COLLECTION SYSTEM		1				
D10		COMPO-PARTS						
D20		INC. A10						
A10B	424474-5	SEALING CAP		5				
A11B	191B36-3	BATTERY BL4025 SET		2				
A12B	412393-7	BATTERY COVER		1				
A13B	***DC40RA	DC40RA FAST CHARGER		1				
D10		COMPO-PARTS						
A14B	8007T8-4	HR001GD203 INDICATION LABEL		1				

Please order the parts with part number.

Print Date 22/6/2020