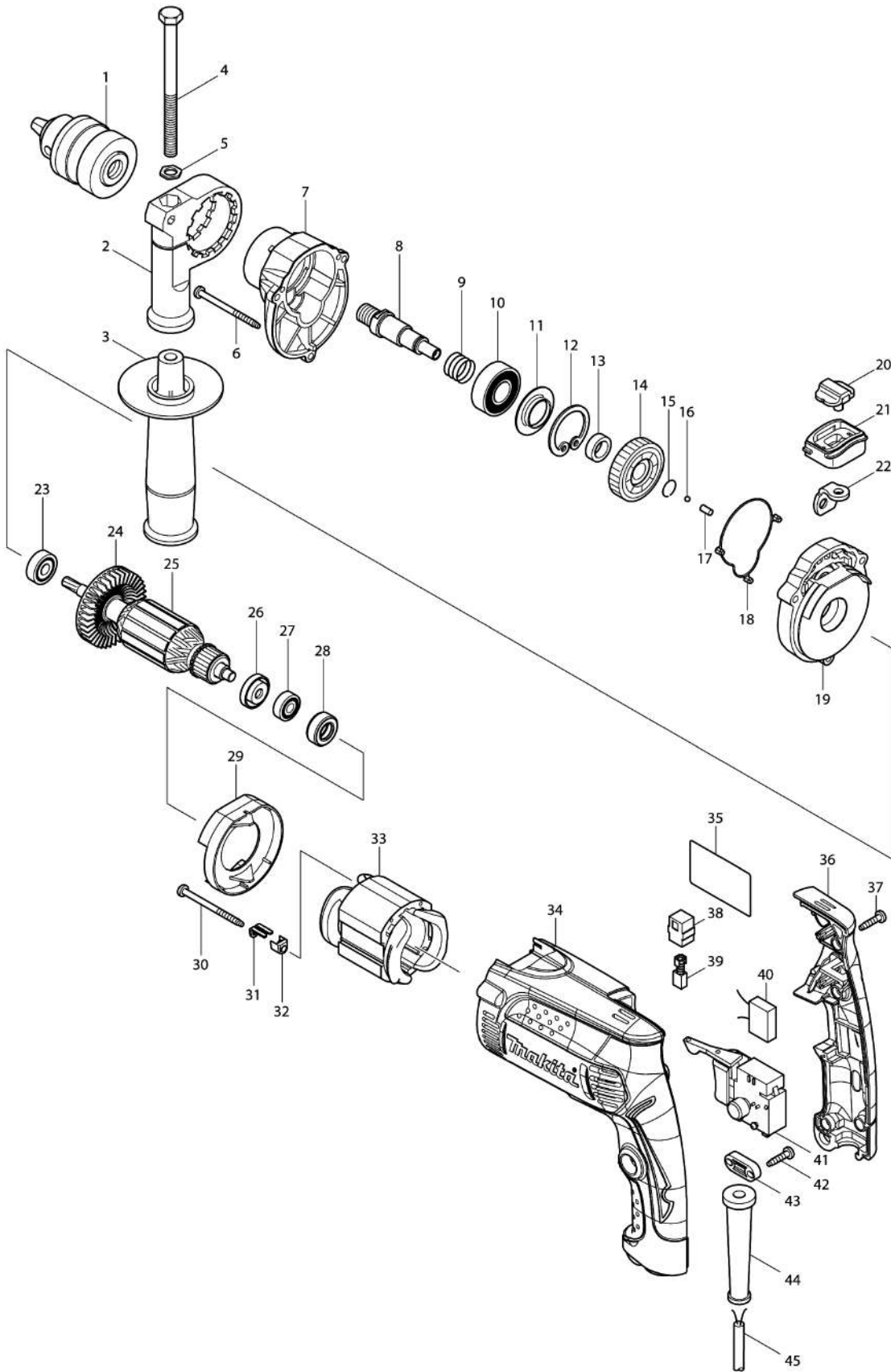


Model No.HP1630 HAMMER DRILL 16MM



Model No.HP1630 HAMMER DRILL 16MM

Item	Parts No.	Description	I/C	Qty	New/Old	Opt. 1	Opt. 2	Note
001A	763161-4	DRILL CHUCK S13		1	*			
001-1A	766016-2	DRILL CHUCK S13	S	1				
001-1B	766016-2	DRILL CHUCK S13		1				
002	417630-4	GRIP BASE		1				
003A	153503-4	GRIP 36 COMPLETE		1	*			
003-1A	152489-9	GRIP 36 COMPLETE	O	1				
003-1B	152489-9	GRIP 36 COMPLETE		1				
004	265495-6	HEX. BOLT M8X110		1				
005	345280-4	HEX. WASHER		1				
006	266361-0	TAPPING SCREW 4X30		3				
007	450619-9	GEAR HOUSING		1				
008	324223-9	SPINDLE		1				
009	233330-6	COMPRESSION SPRING 16		1				
010	211241-5	BALL BEARING 6202DDW		1				
011	257246-1	RING 19		1				
012	962153-2	RETAINING RING R-35		1				
013	257173-2	RING 12		1				
014	226589-2	HELICAL GEAR 37		1	*			
014-1	227806-3	HELICAL GEAR 37	S	1				
015	233938-6	RING SPRING 12		1				
016	216001-0	STEEL BALL 3.5		1				
017	256251-5	PIN 4		1				
018	424112-9	SEAL RING		1				
019	158676-8	GEAR HOUSING COVER COMPLETE		1				
020	417819-4	CHANGE LEVER		1				
021	450621-2	LEVER CASE		1				
022	345944-0	CHANGE PLATE		1				
023	211031-6	BALL BEARING 608LLB		1				
024	241869-5	FAN 55		1				
025	515309-2	ARMATURE ASS'Y 240V		1	*			
D10		INC. 23,24,26,27			*			
025-1	513439-3	ARMATURE ASS'Y 240V	S	1				
D10		INC. 23,24,26,27						
026	681636-0	INSULATION WASHER		1				
027	211021-9	BALL BEARING 607LLB		1				
028	421808-3	RUBBER RING 19		1				
029	450620-4	BAFFLE PLATE		1				
030	266415-3	TAPPING SCREW 4X55		2				
031	344871-8	RETAINER		2				
032	417237-6	INSULATION COVER		2				
033A	626604-6	FIELD 240V		1	*			
033-1A	626644-4	FIELD 240V	O	1				

Please order the parts with part number.

Print Date 30/3/2020

Model No.HP1630 HAMMER DRILL 16MM

Item	Parts No.	Description	I/C	Qty	New/Old	Opt. 1	Opt. 2	Note
033-1B	626644-4	FIELD 240V		1				
034	450617-3	MOTOR HOUSING		1	*			
034-1	457967-7	MOTOR HOUSING	<	1				
035	865364-7	HP1630 NAME PLATE		1				
036	158677-6	HANDLE COVER COMPLETE		1				
037	266326-2	TAPPING SCREW 4X18		4				
038	643563-9	BRUSH HOLDER 5X8		2	*			
038-1	643566-3	BRUSH HOLDER 5X8	O	2				
039	191998-3	CARBON BRUSH CB-85		1				
040A	645200-1	NOISE SUPPRESSOR		1	*			
040-1A	645267-9	NOISE SUPPRESSOR	O	1				
040-1B	645267-9	NOISE SUPPRESSOR		1				
041	650586-0	SWITCH DGQ-1104H		1				
042	266326-2	TAPPING SCREW 4X18		2				
043	687124-5	STRAIN RELIEF		1				
044A	682569-2	CORD GUARD 8-85		1	*			
044-1A	682502-4	CORD GUARD 8-85	O	1				
044-1B	682502-4	CORD GUARD 8-85		1				
045	665383-1	POWER SUPPLY CORD 1.0-2-2.0		1				
A01	418163-2	KEY HOLDER 10		1				
A02A	763441-8	CHUCK KEY S13		1	*			
A02-1A	763448-4	CHUCK KEY S13	S	1				
A02-1B	763448-4	CHUCK KEY S13		1				
A03A	824811-7	PLASTIC CARRYING CASE		1				
C10	324815-4	SHAFT		1				
C20	417724-5	LATCH		2				
C30	418264-6	PLATE		3				
C40	419216-0	HANDLE		1				
C50	450086-8	PLASTIC CASE LID		1				
A03B	821549-5	CONNECTOR PLASTIC CASE (TYPE1)		1				
C10	453974-8	LATCH		4				
A04B	837666-1	INNER TRAY		1	*			
A04-1B	838038-3	INNER TRAY	<	1				
A05B	801C86-3	HP1630J INDICATION LABEL		1				
A06B	801C87-1	HP1630J PLASTIC CASE LABEL		2				

Please order the parts with part number.

Print Date 30/3/2020